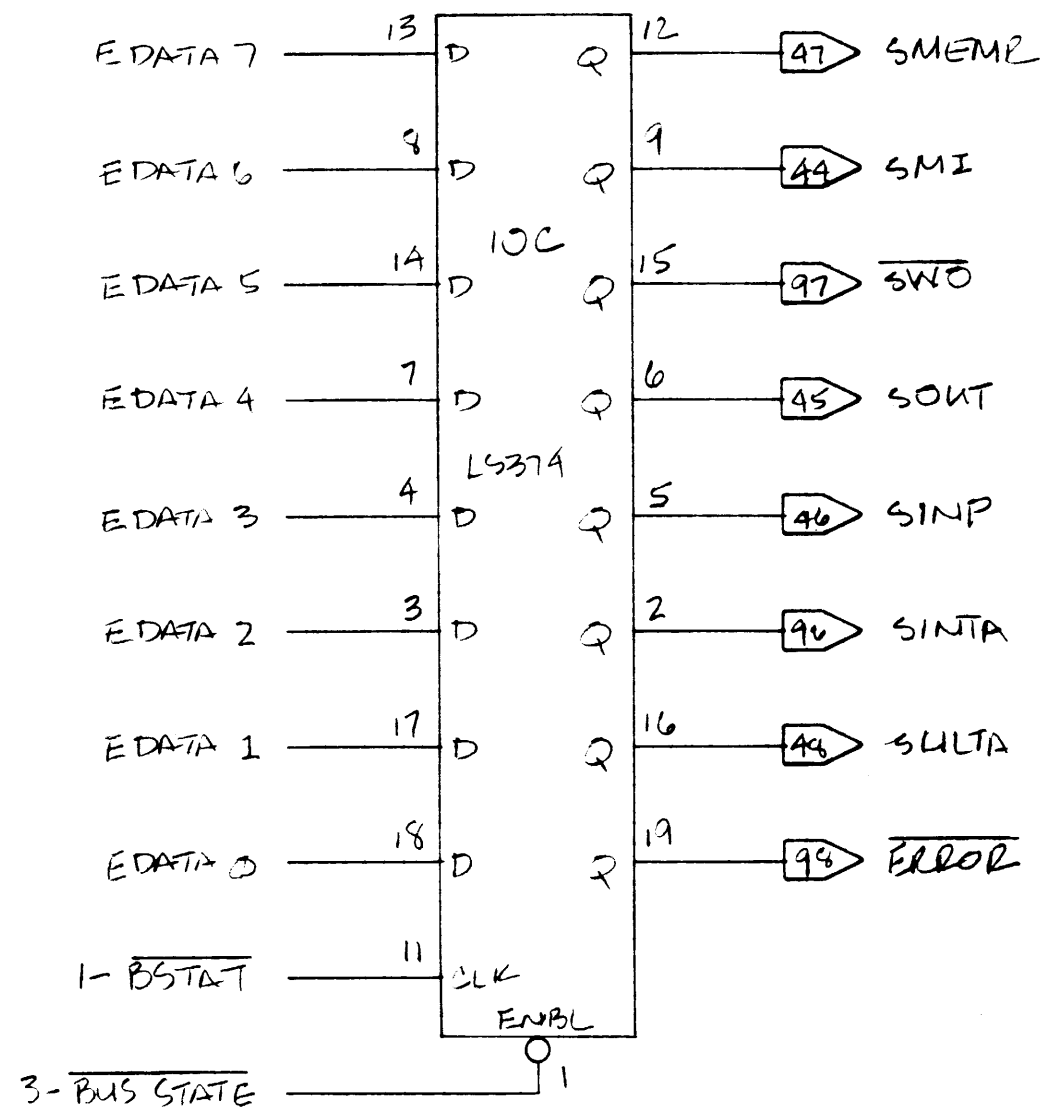
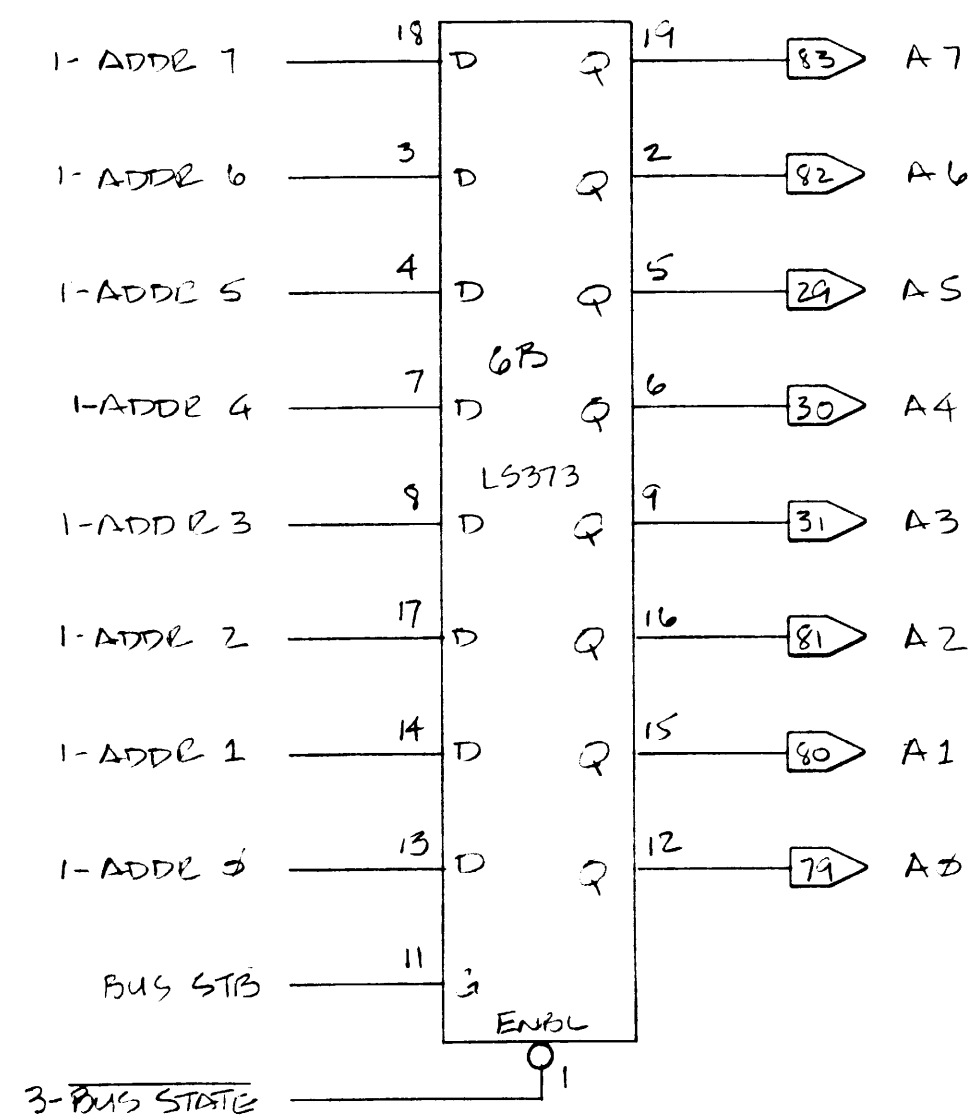
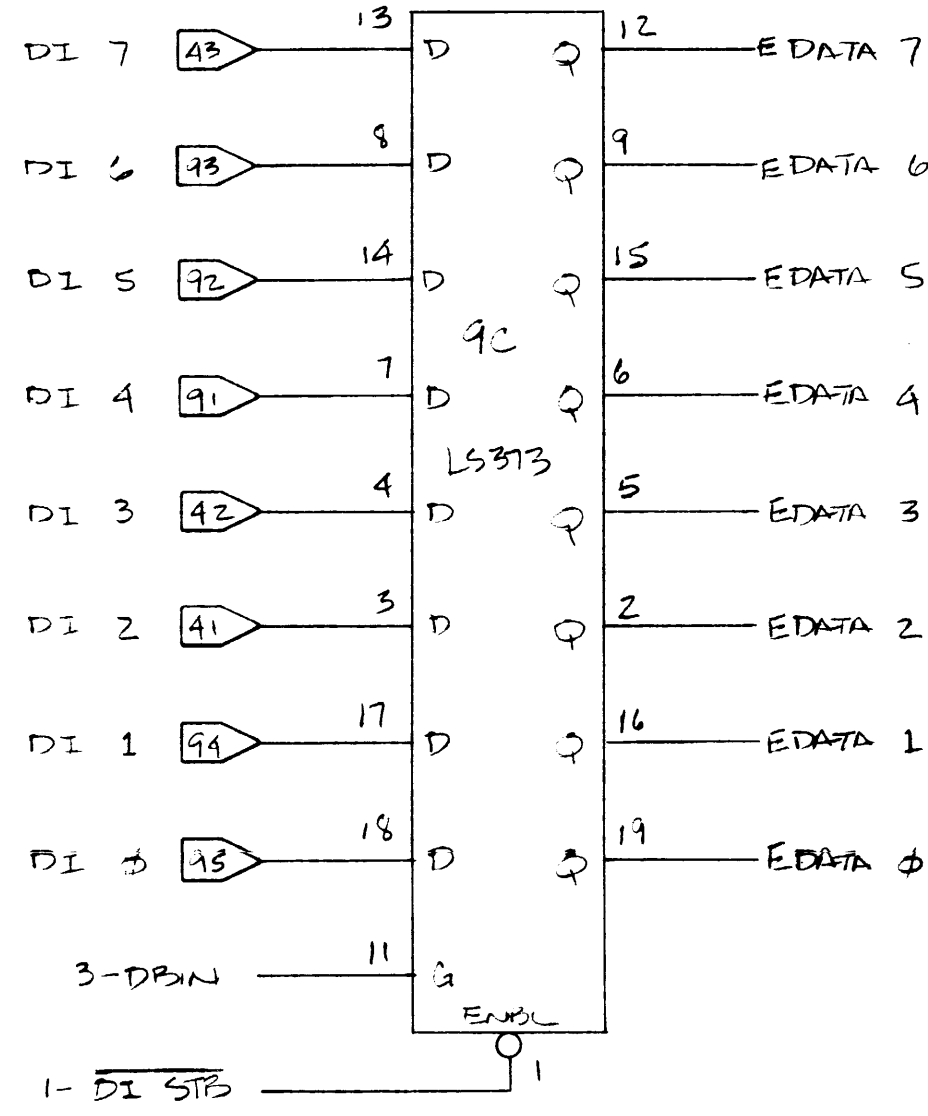
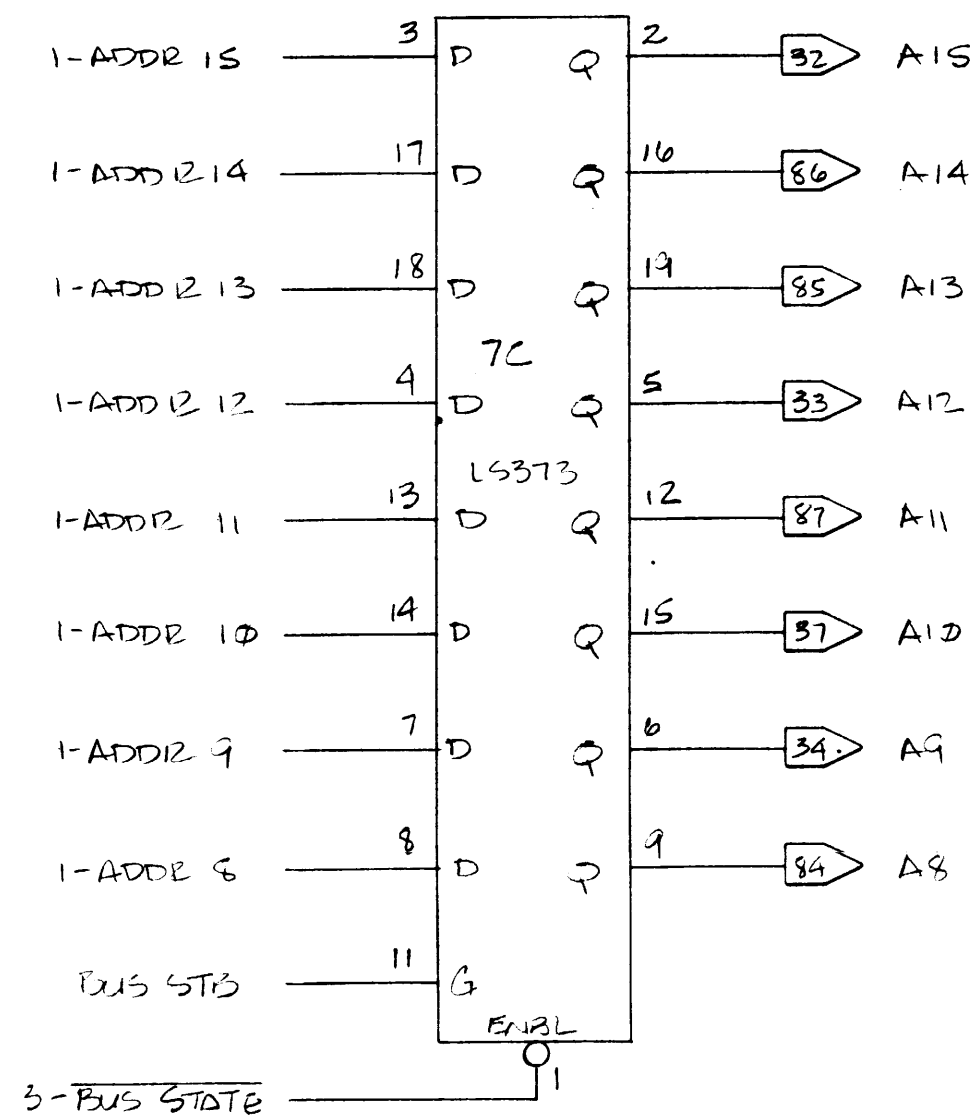
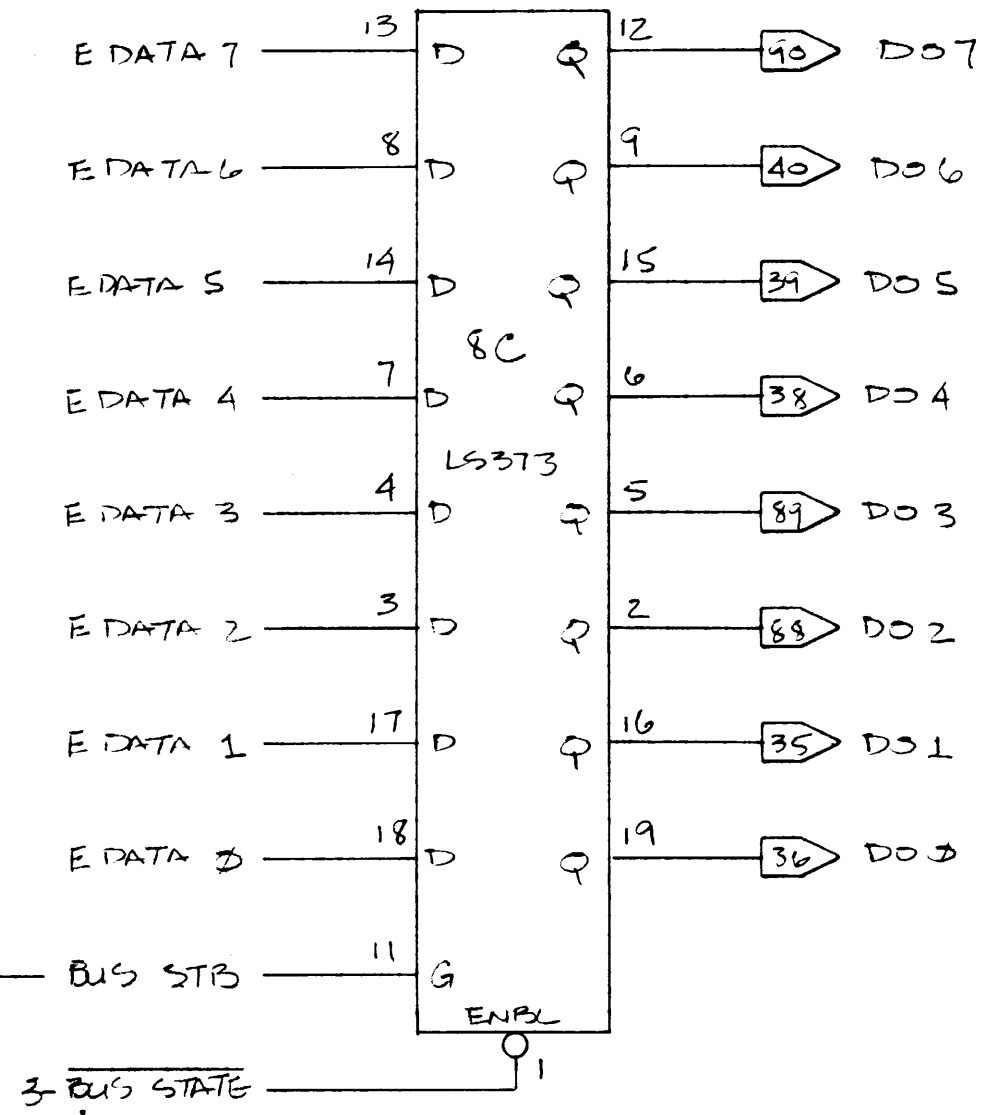
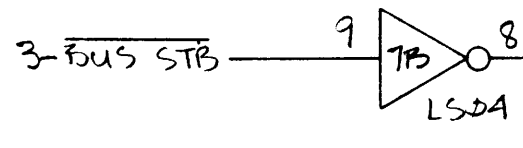
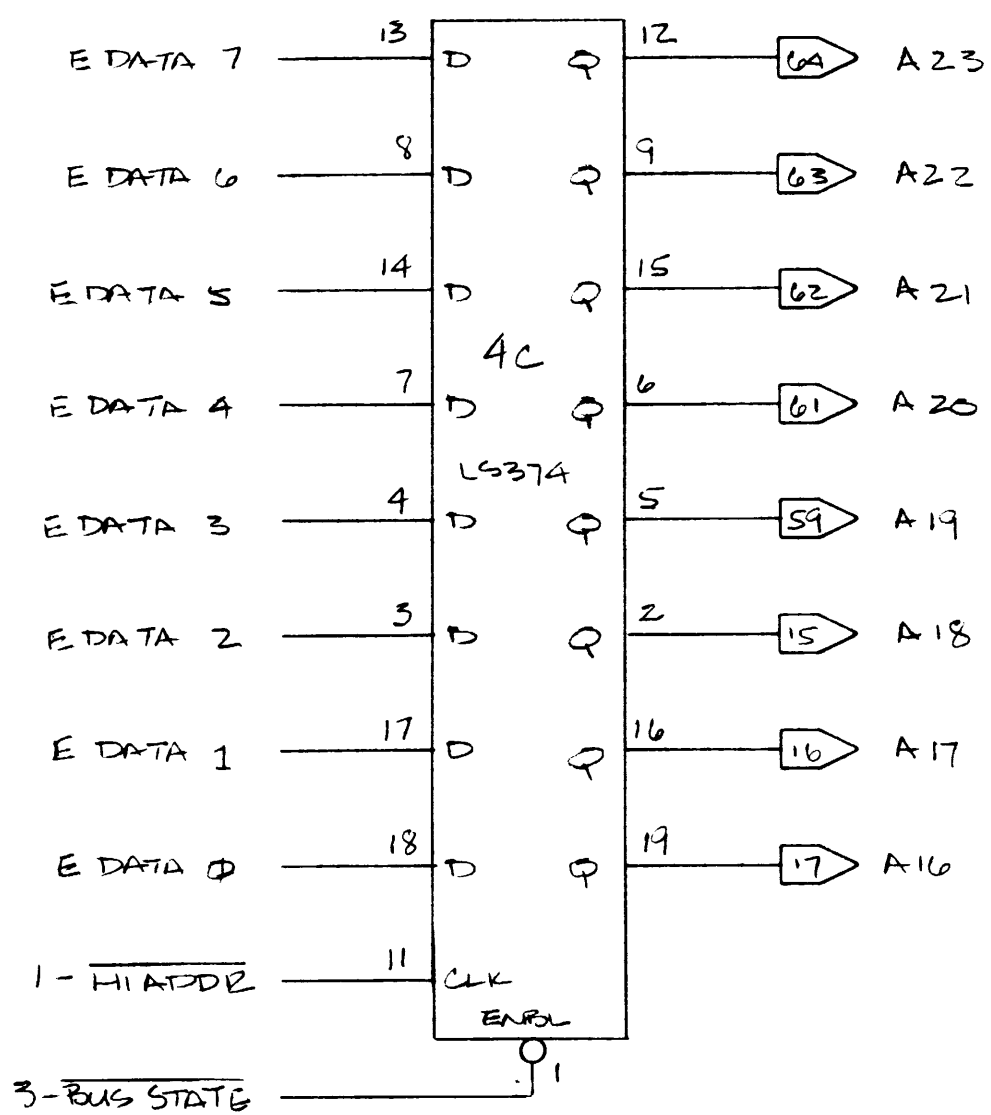
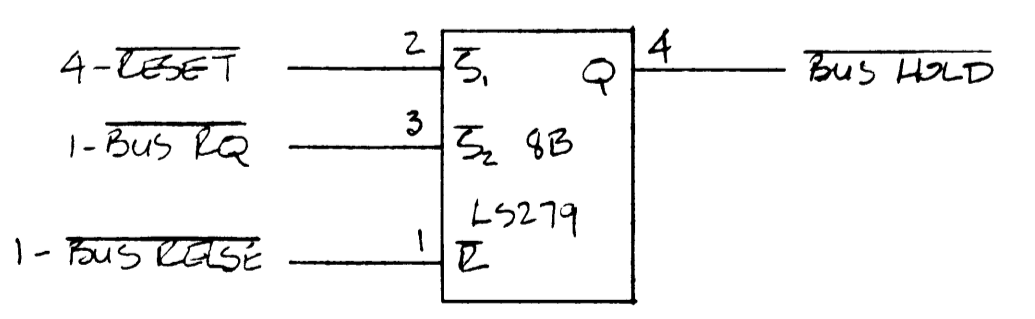
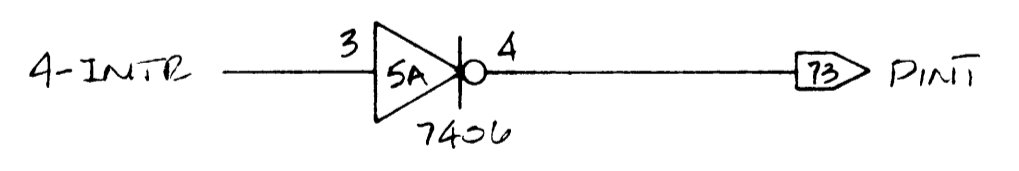
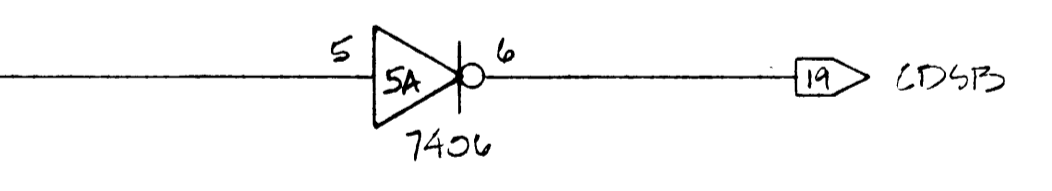
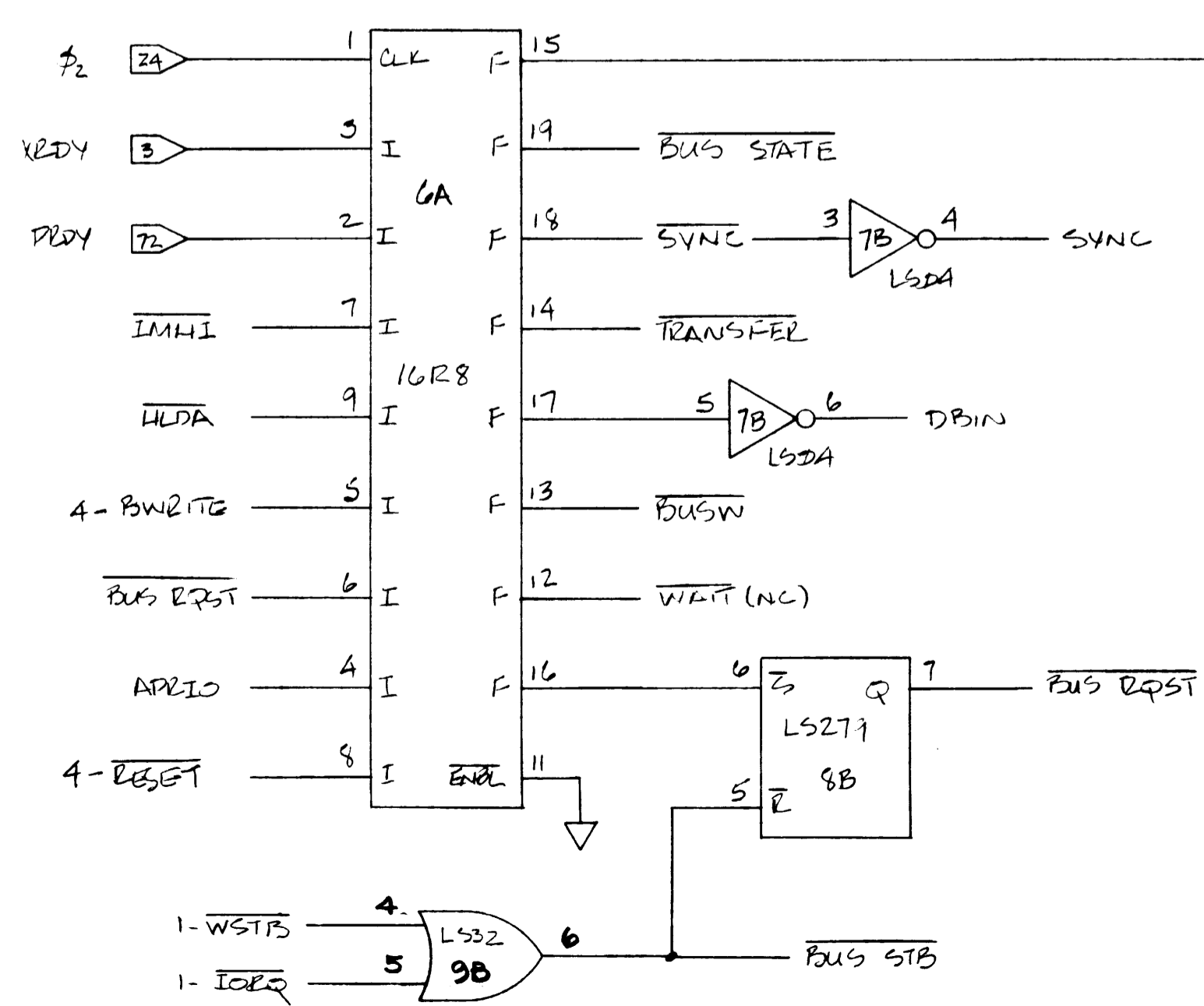
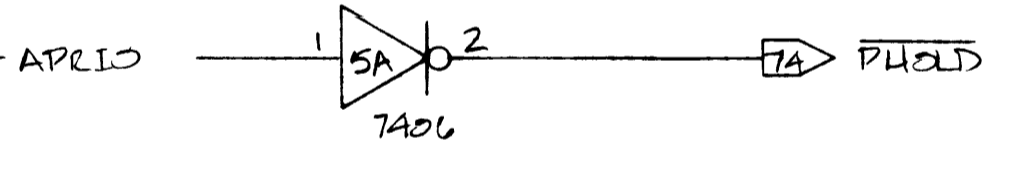
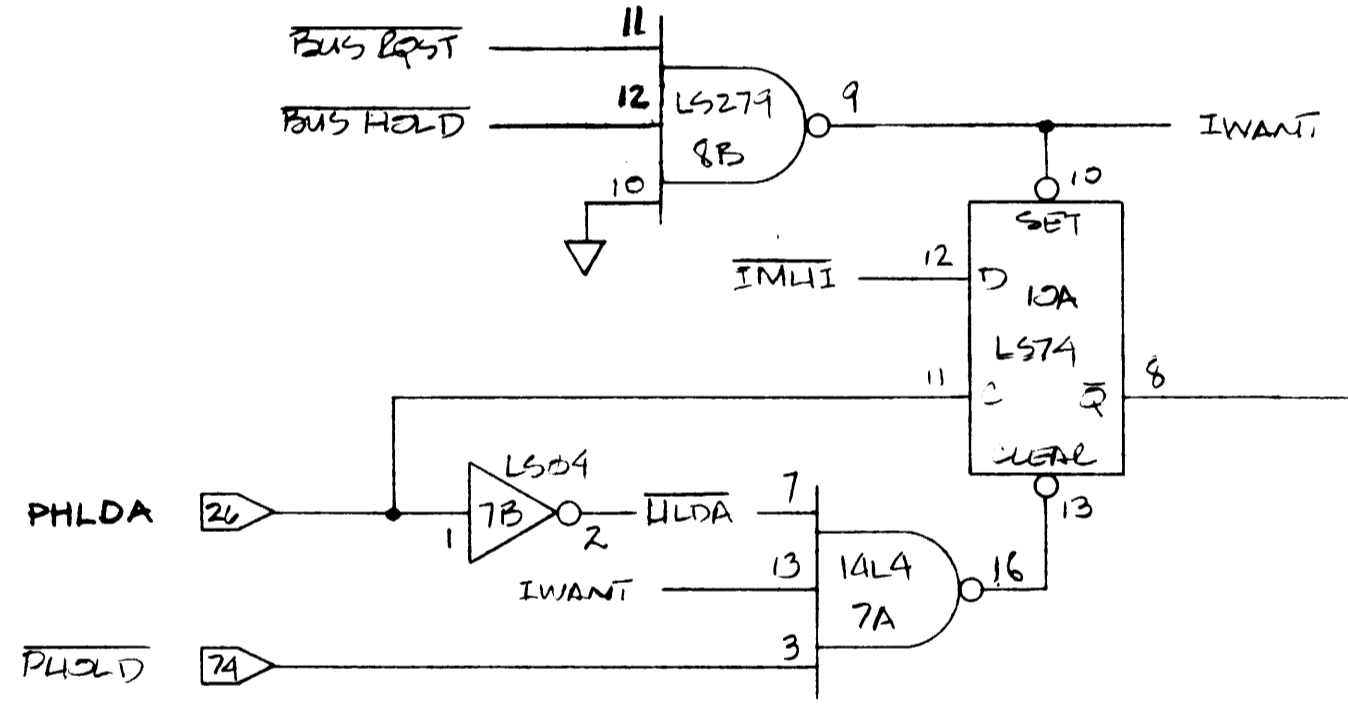
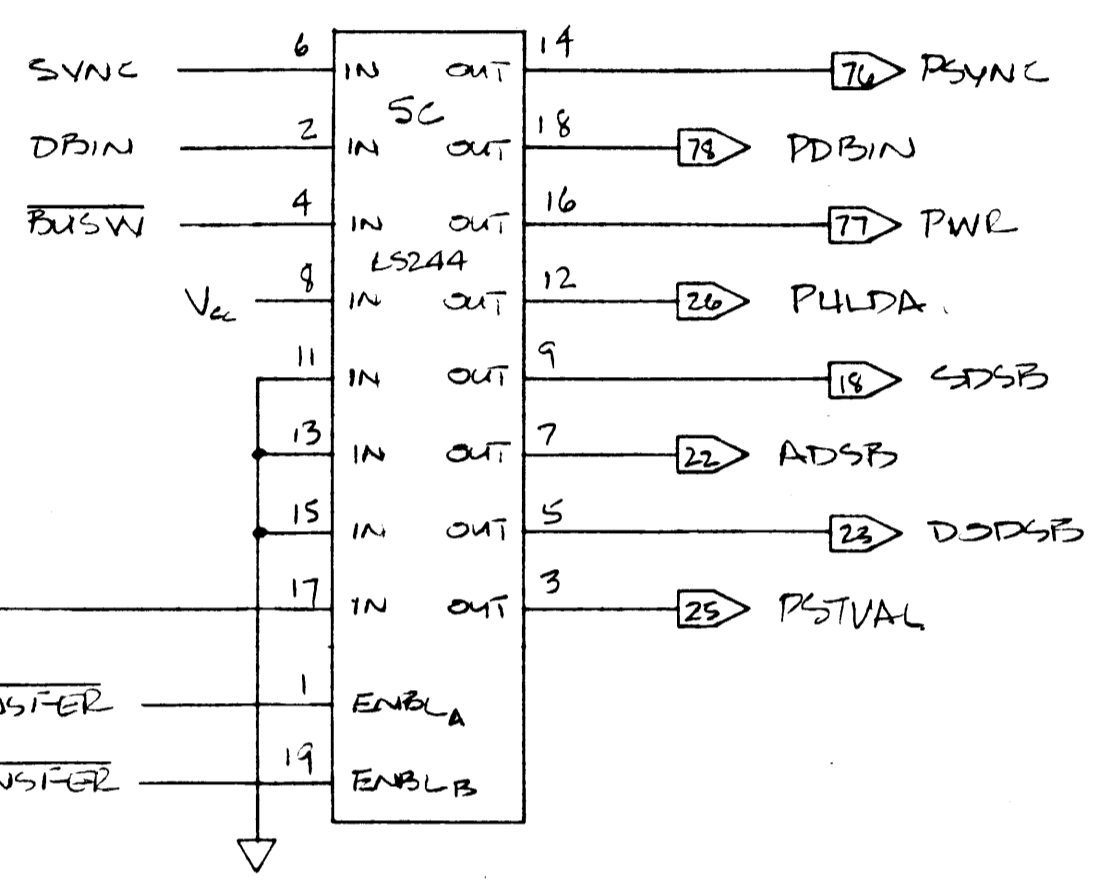
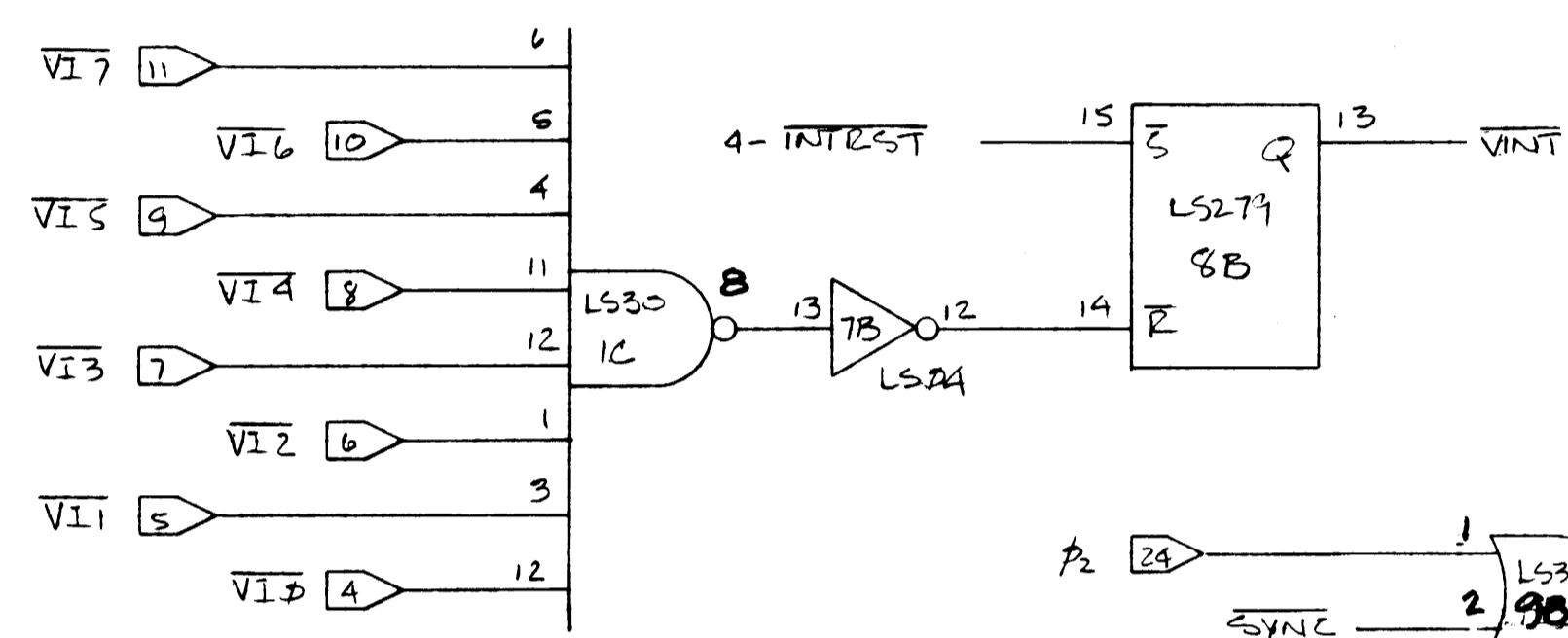
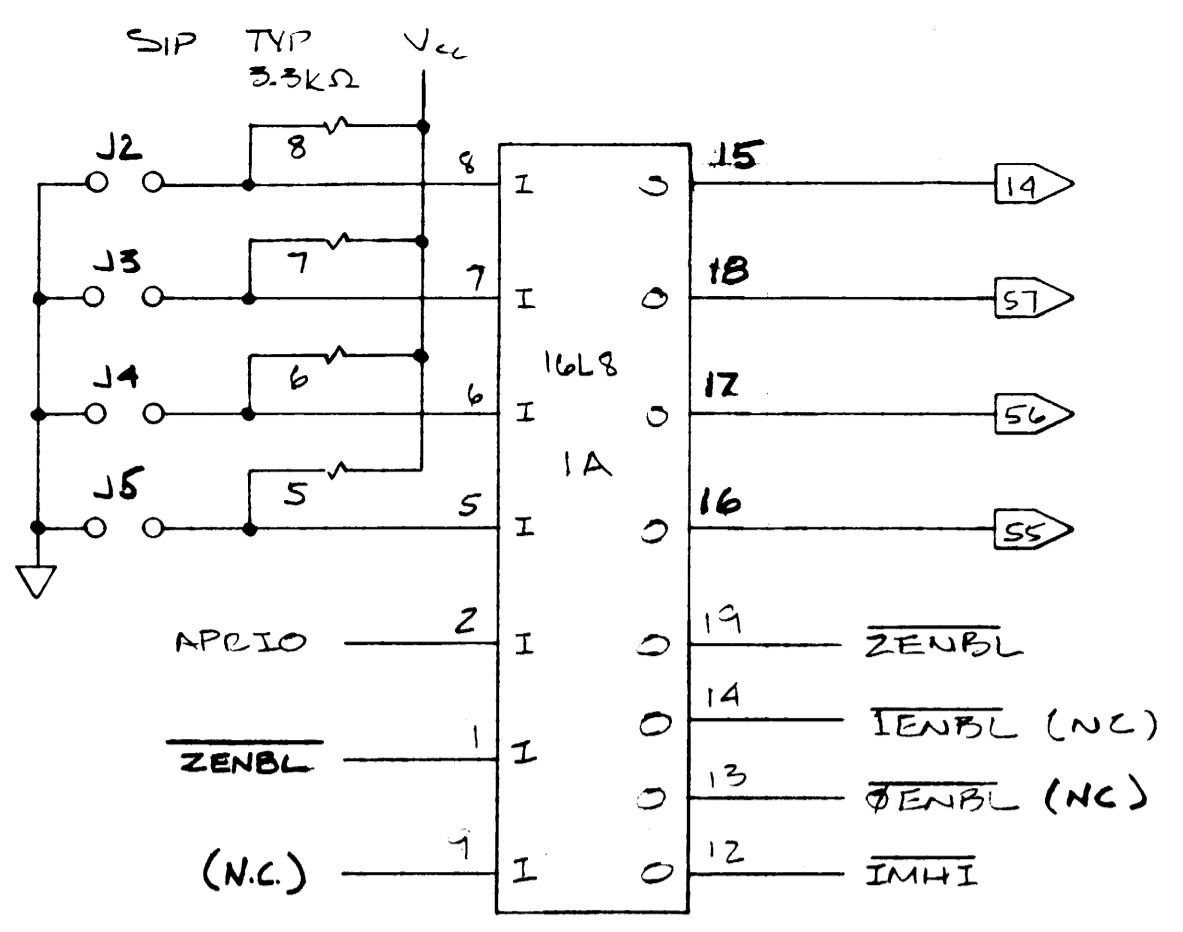
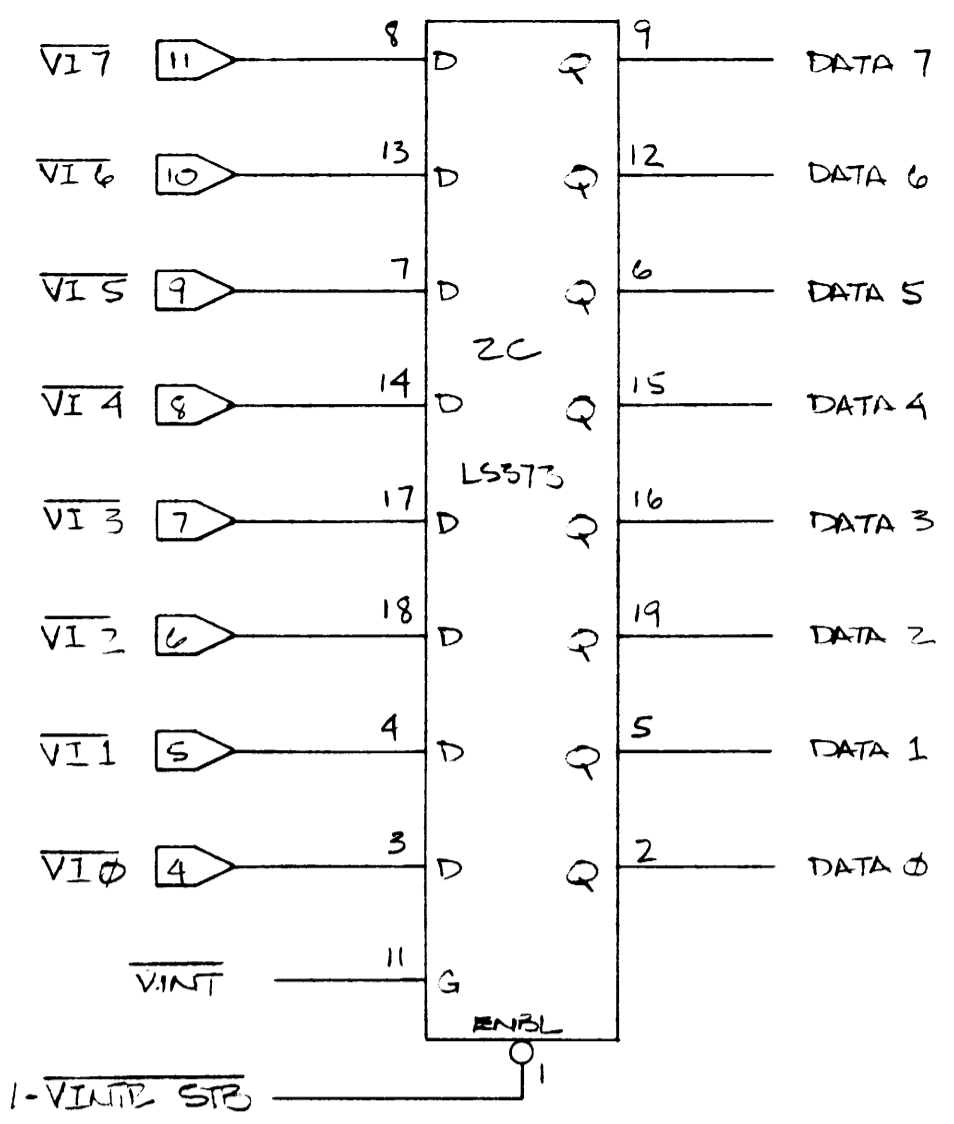


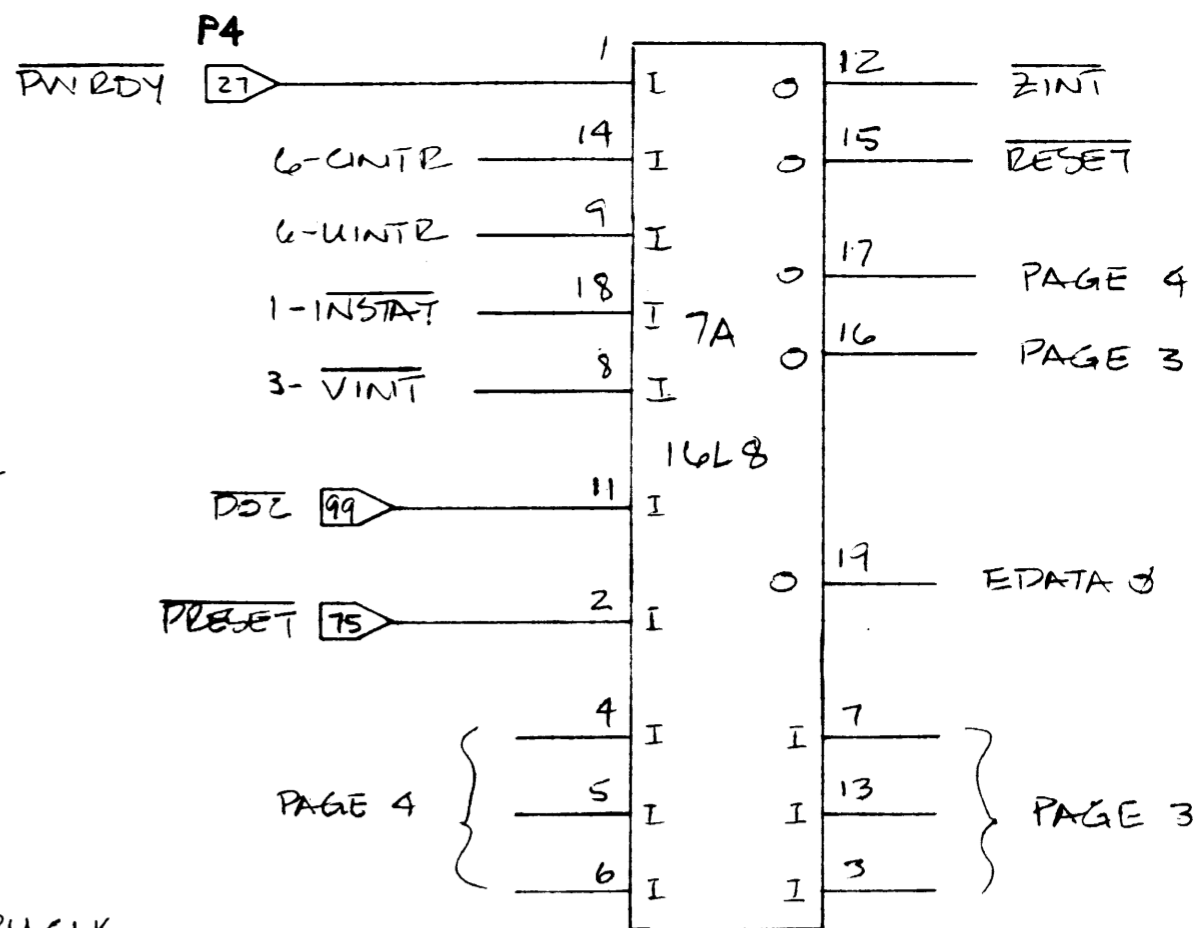
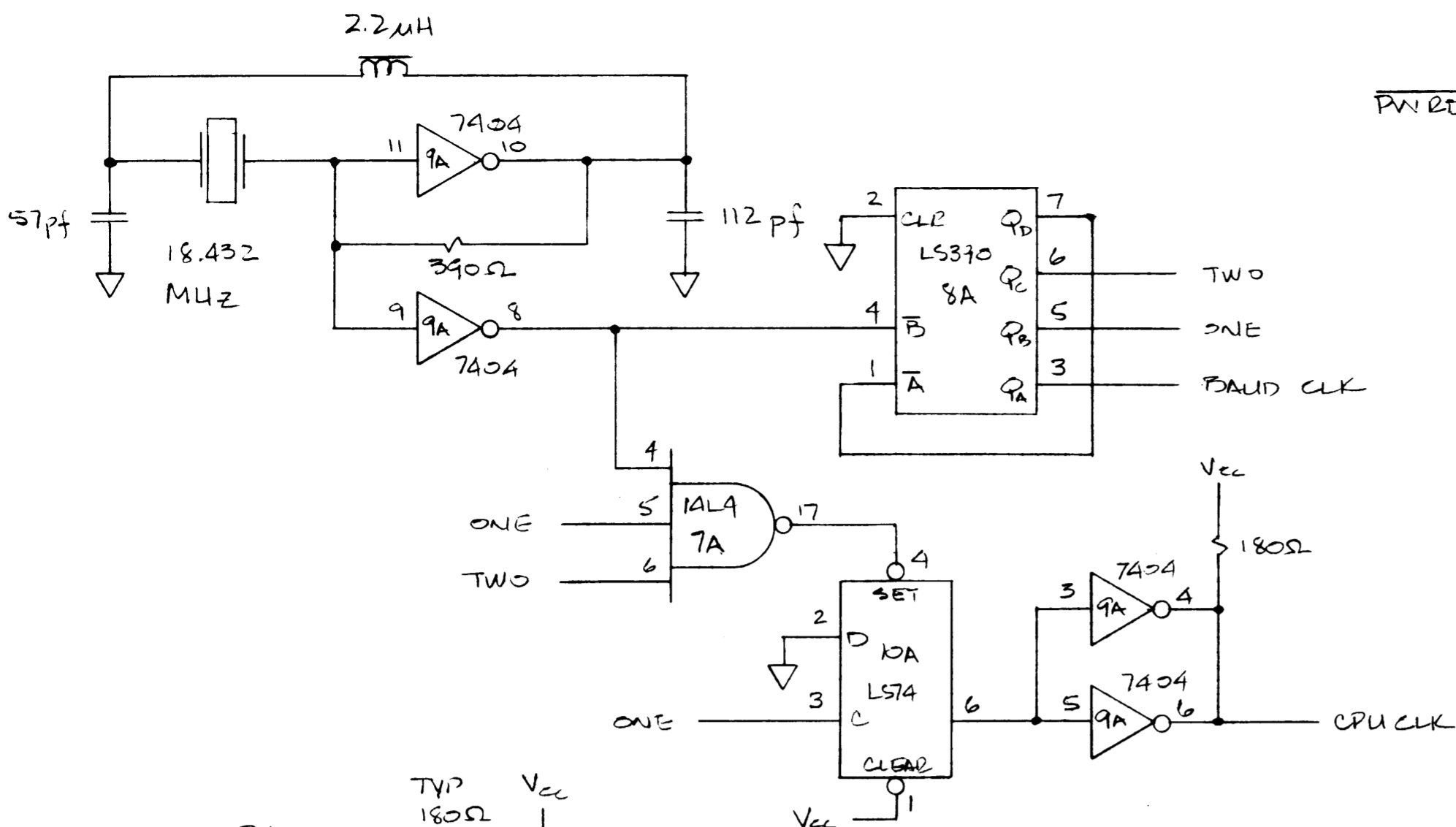
1-Z80-82



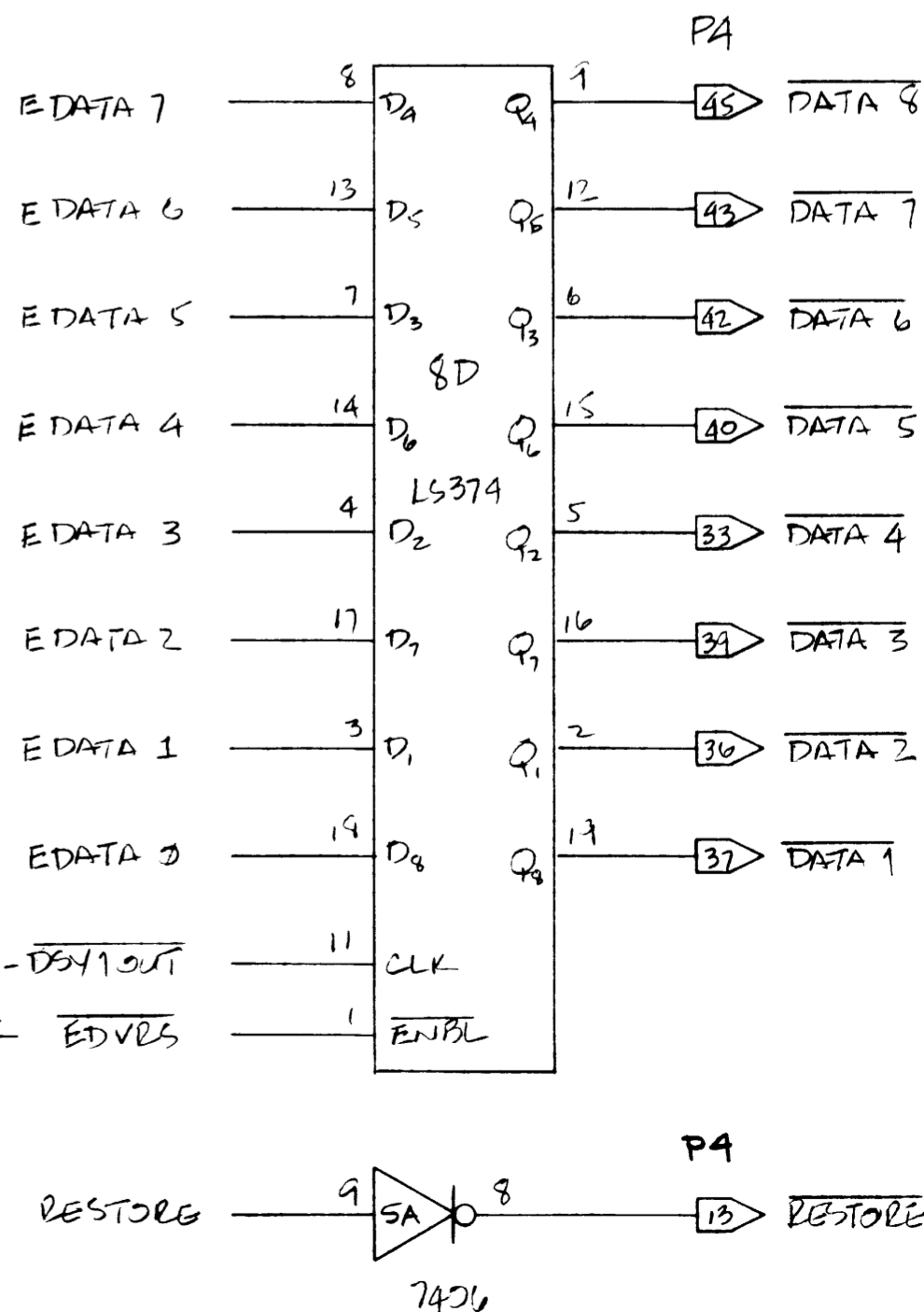
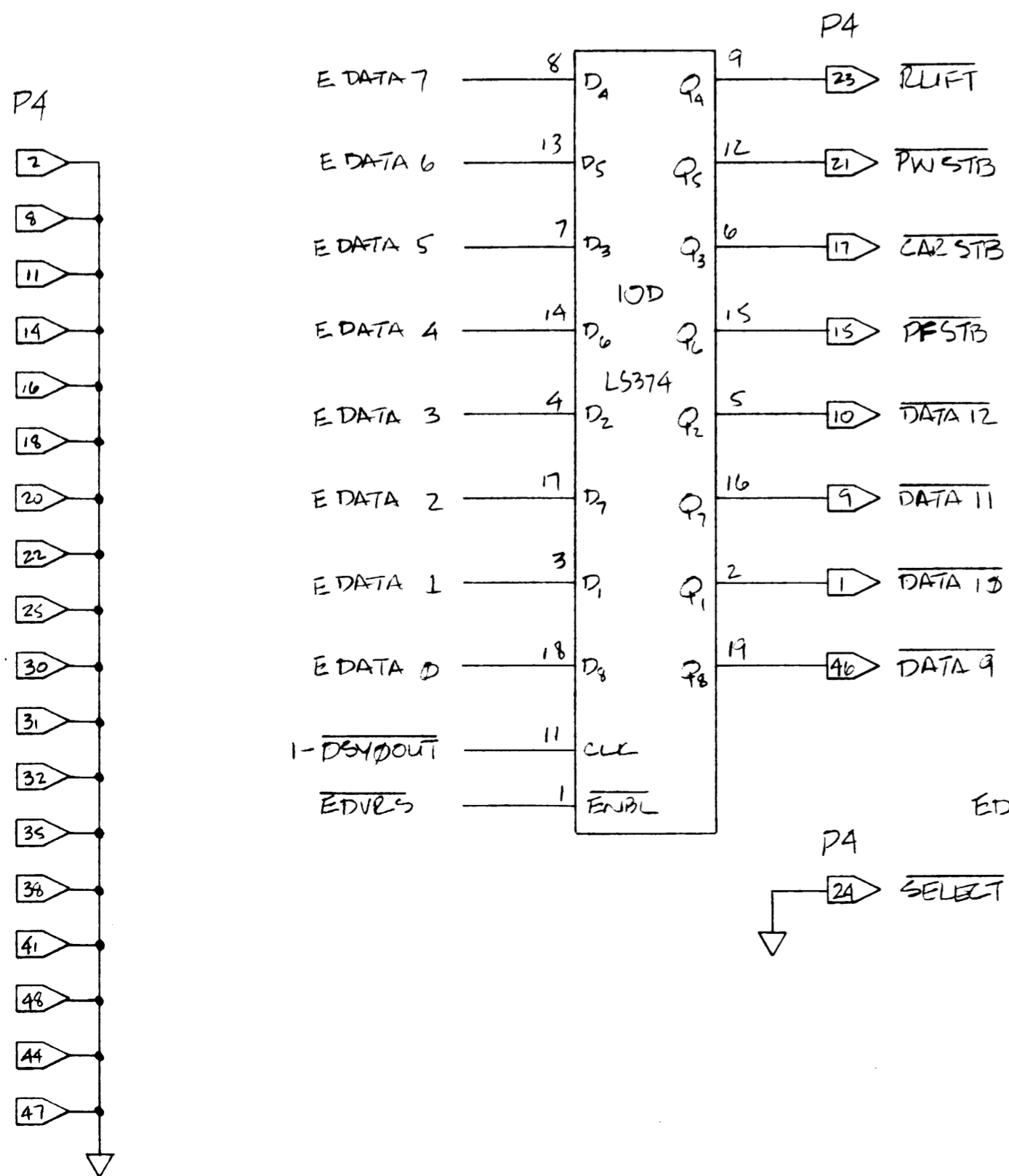
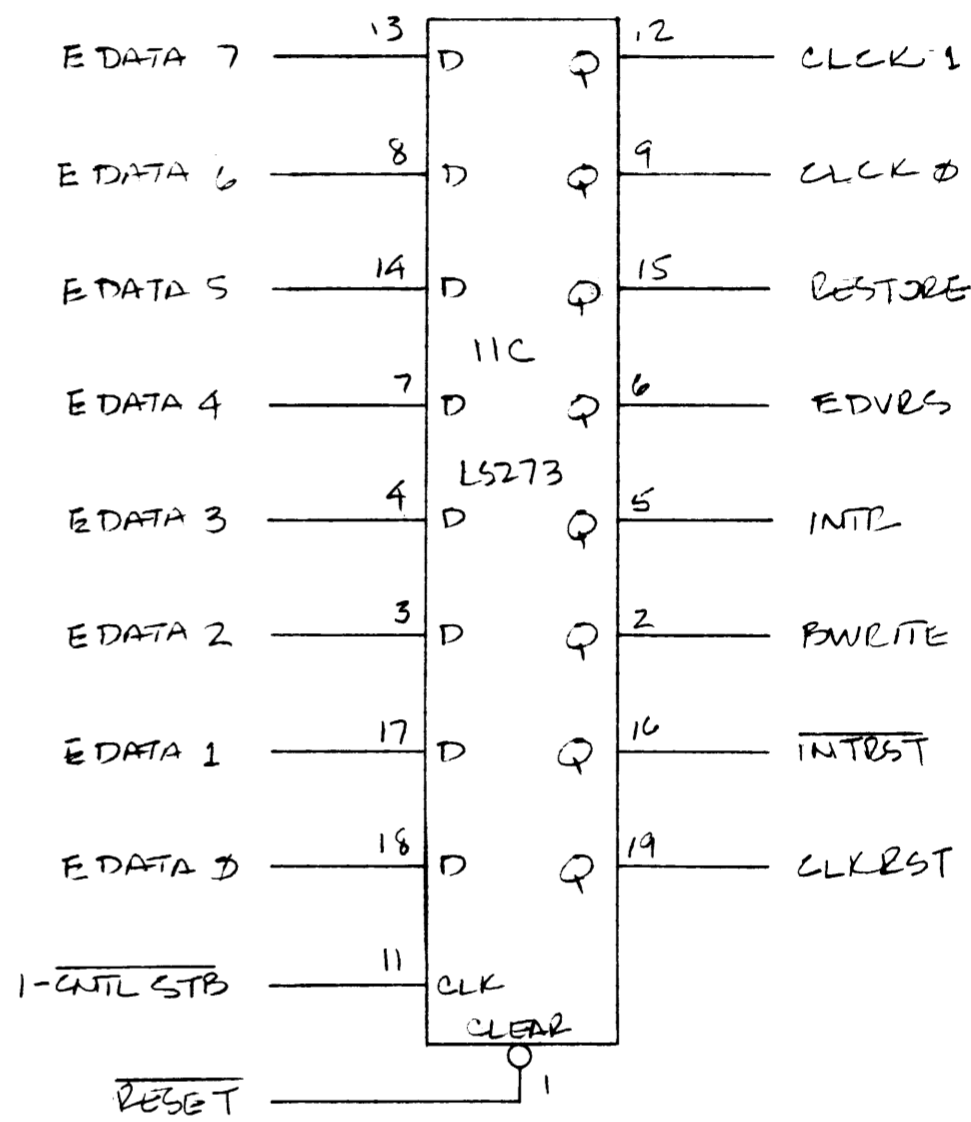
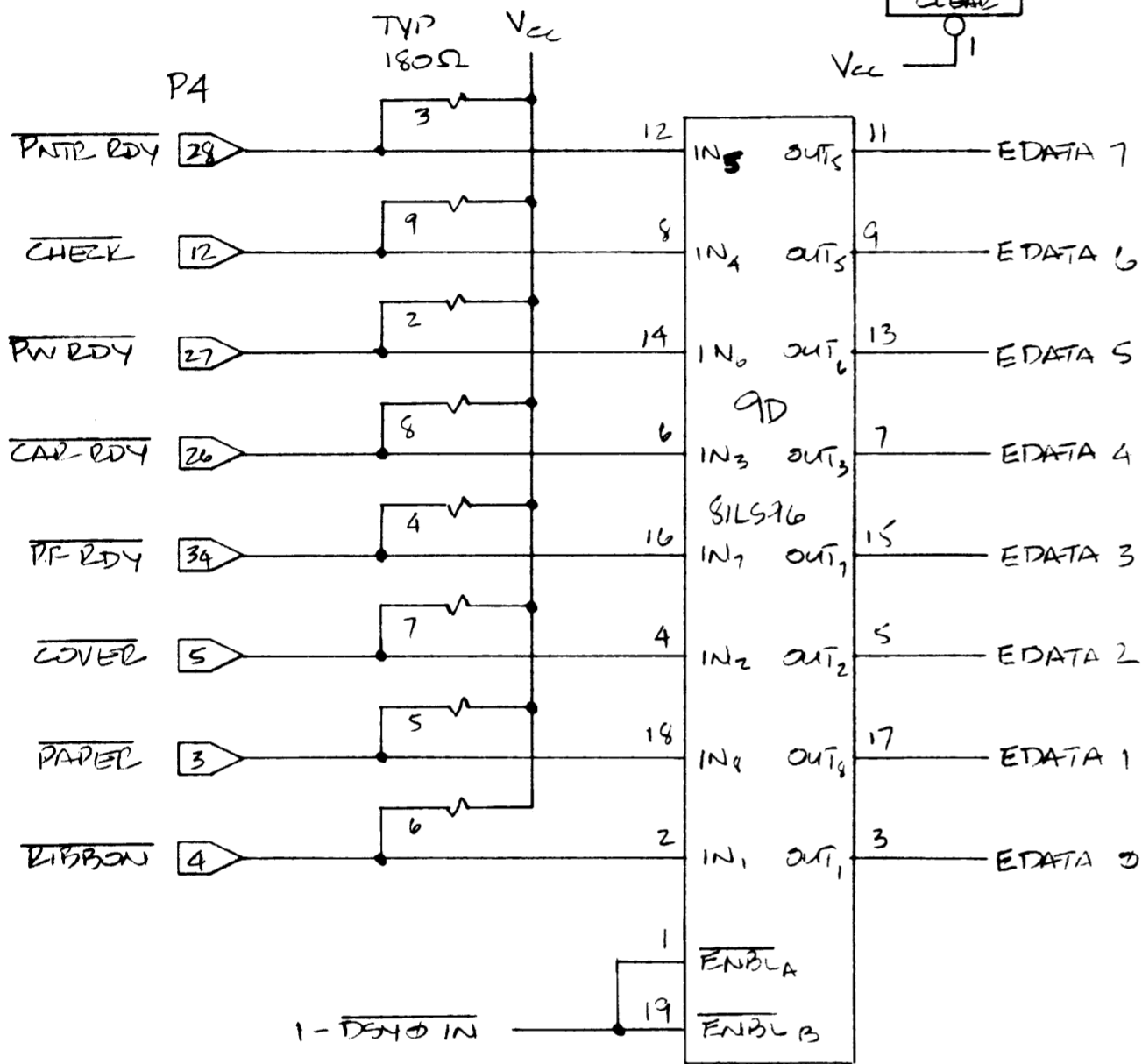
1-20-82



1-28-82

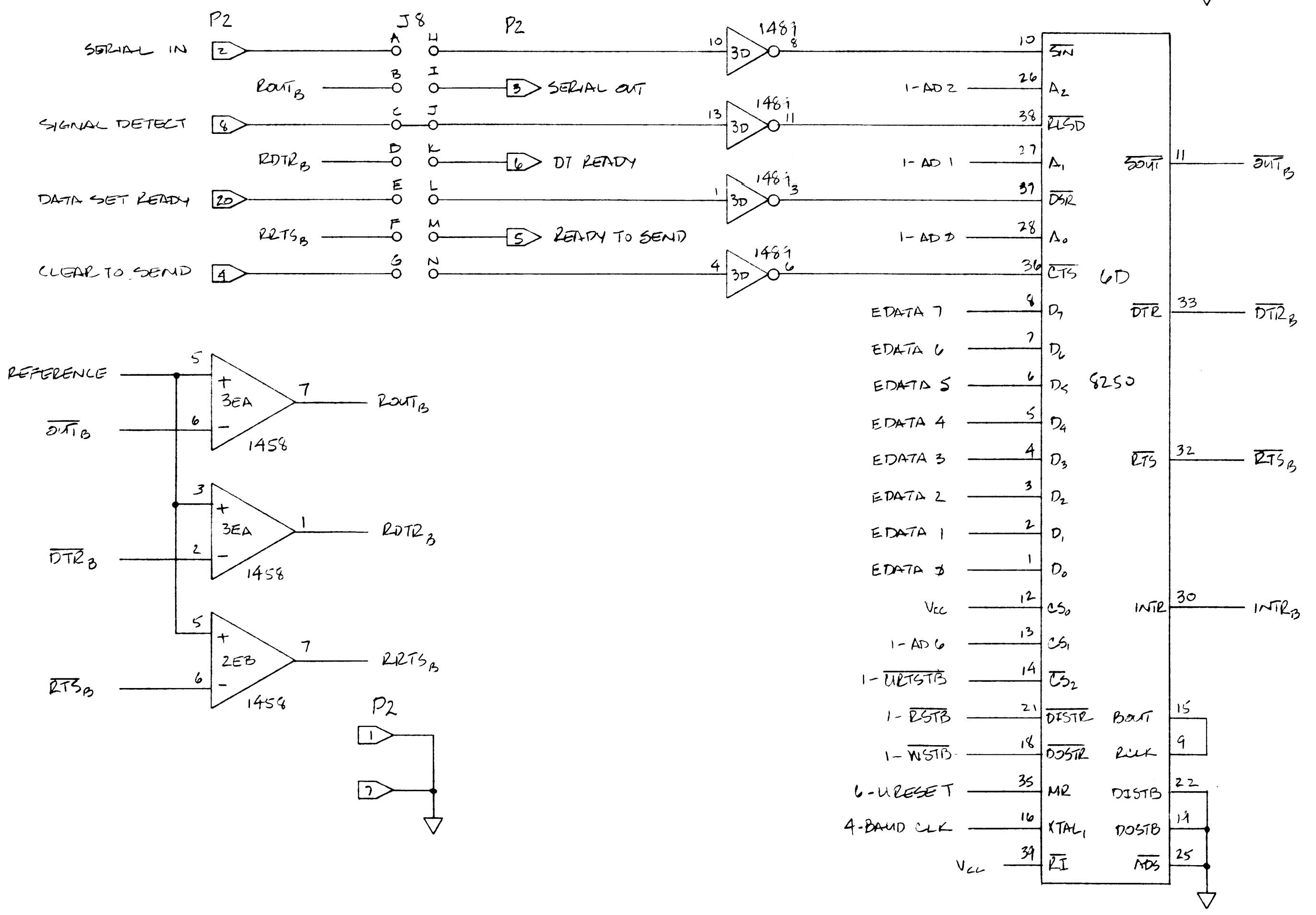
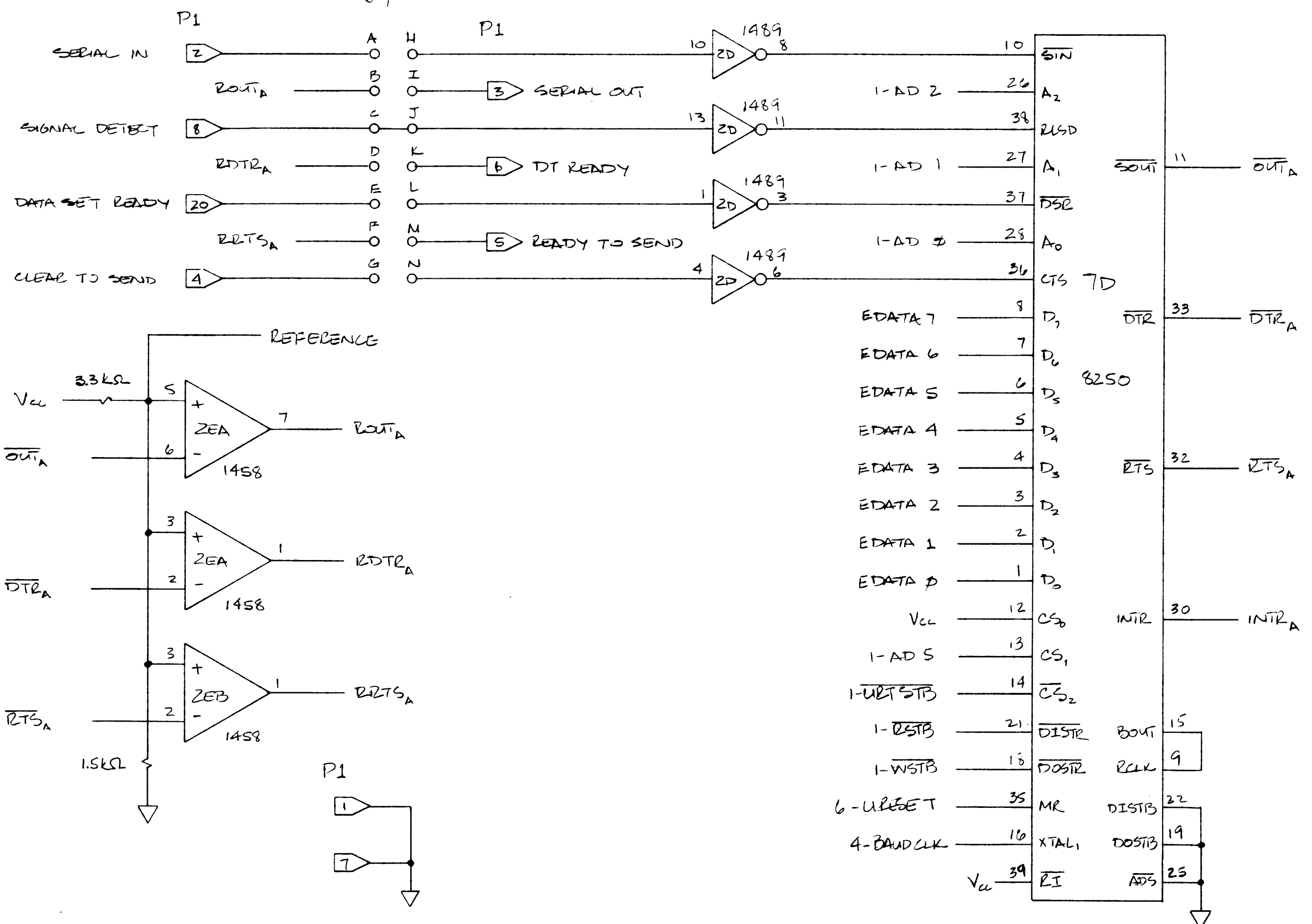


NOTE: [ 12, 19 MUST BE OUTPUTS  
1-9, 11 MUST BE INPUTS ]

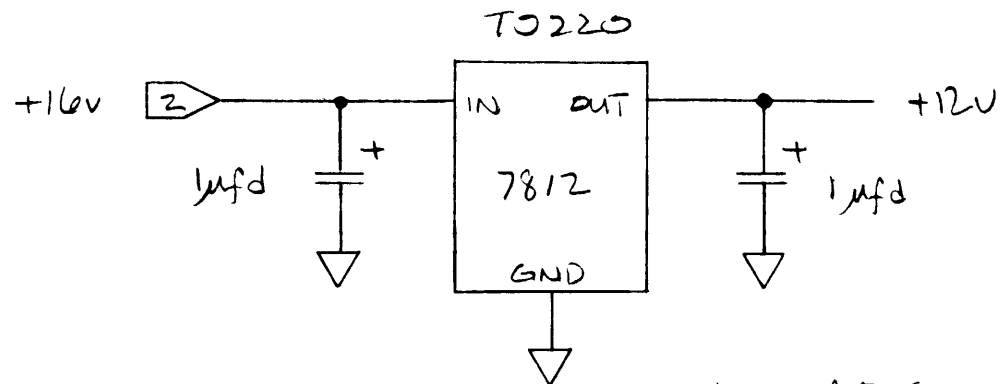
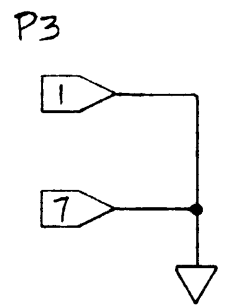
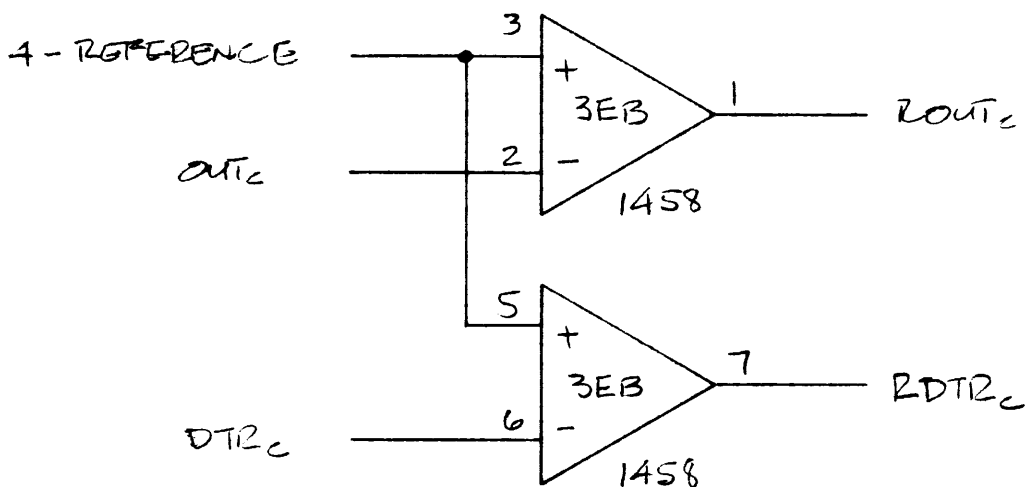
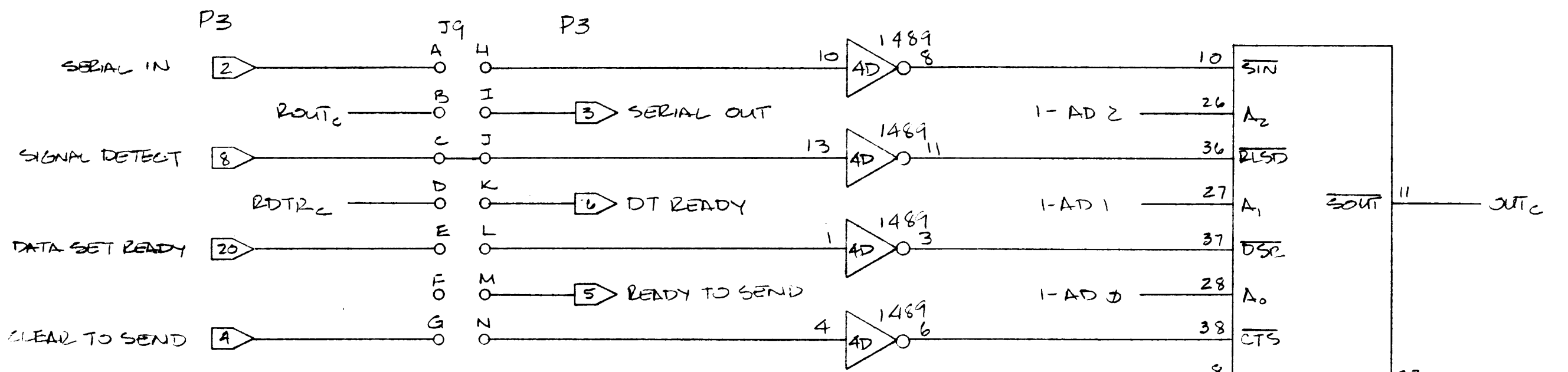


1-28-82

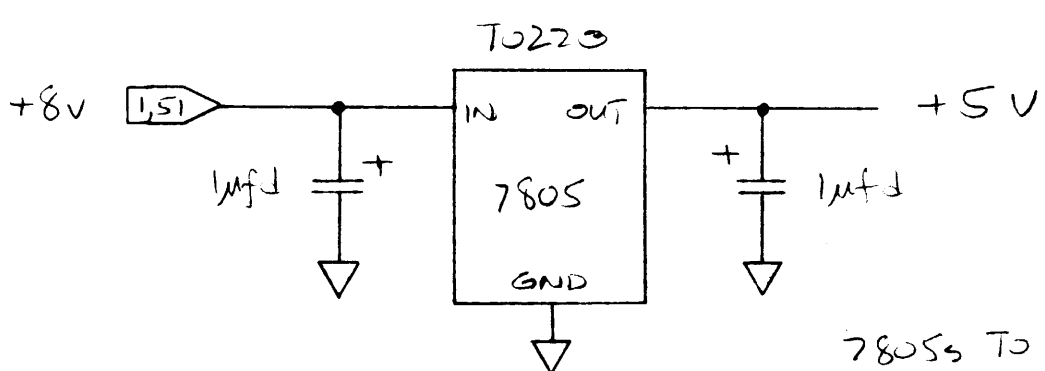
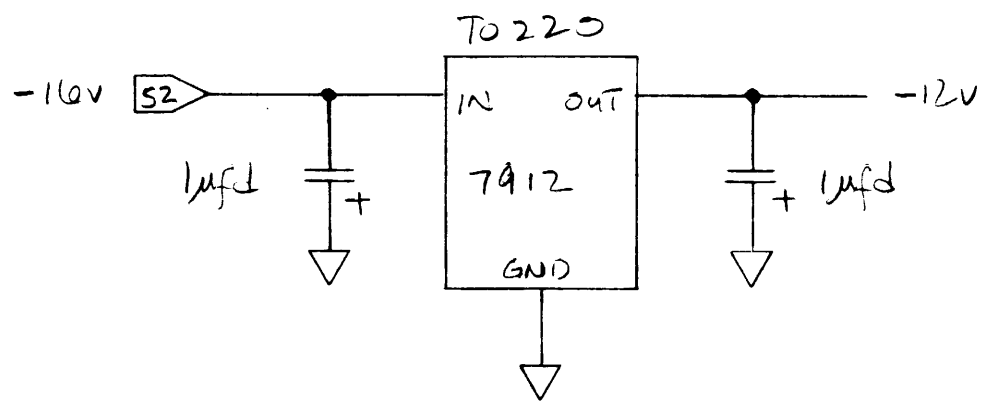
J7



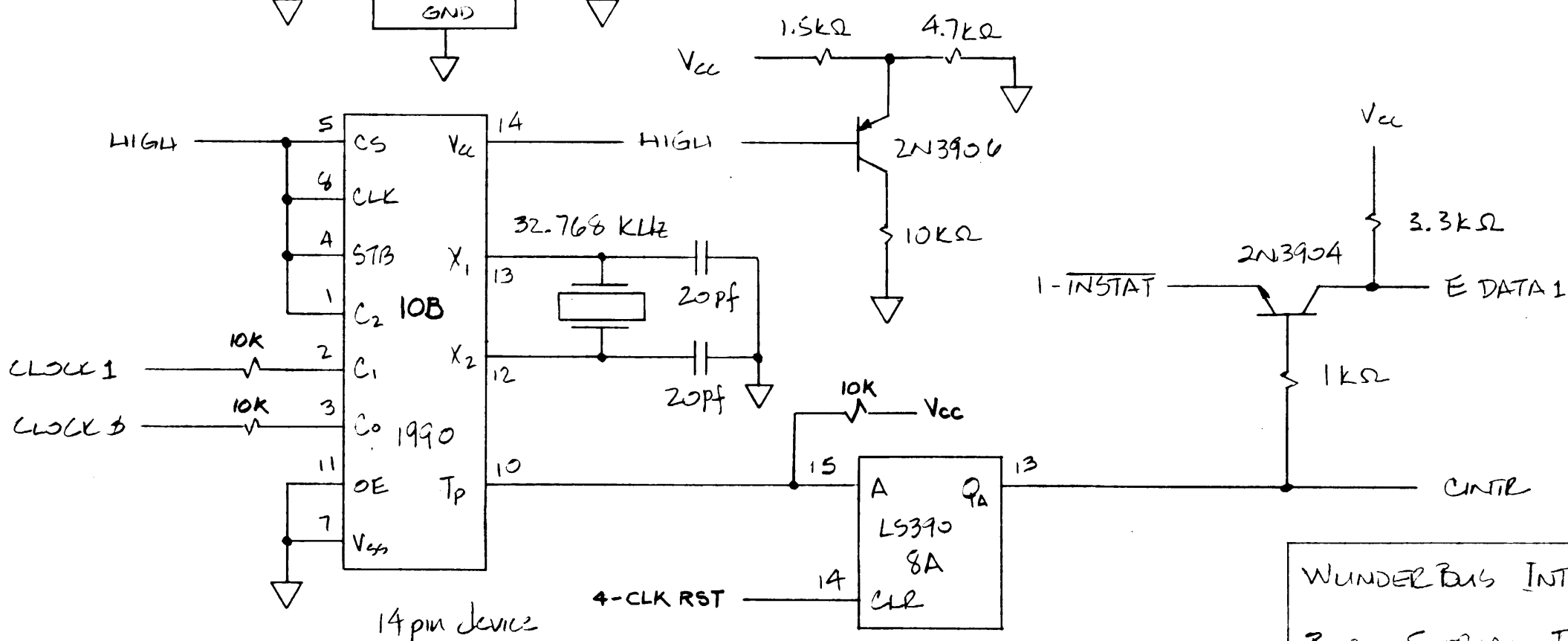
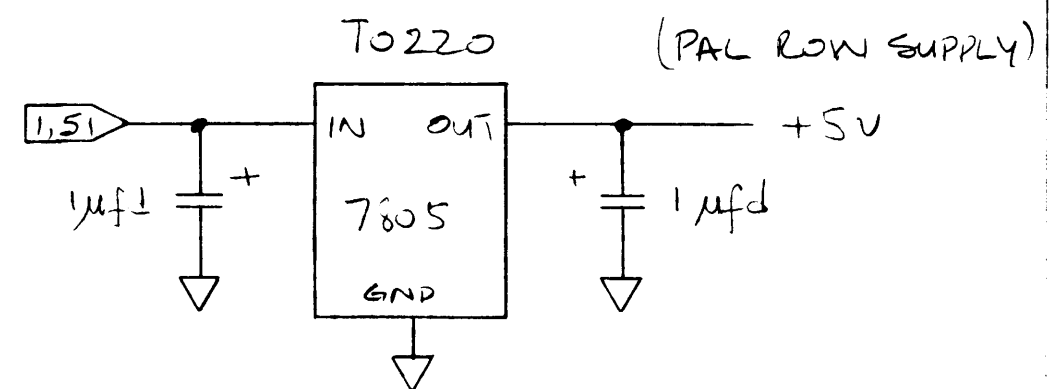
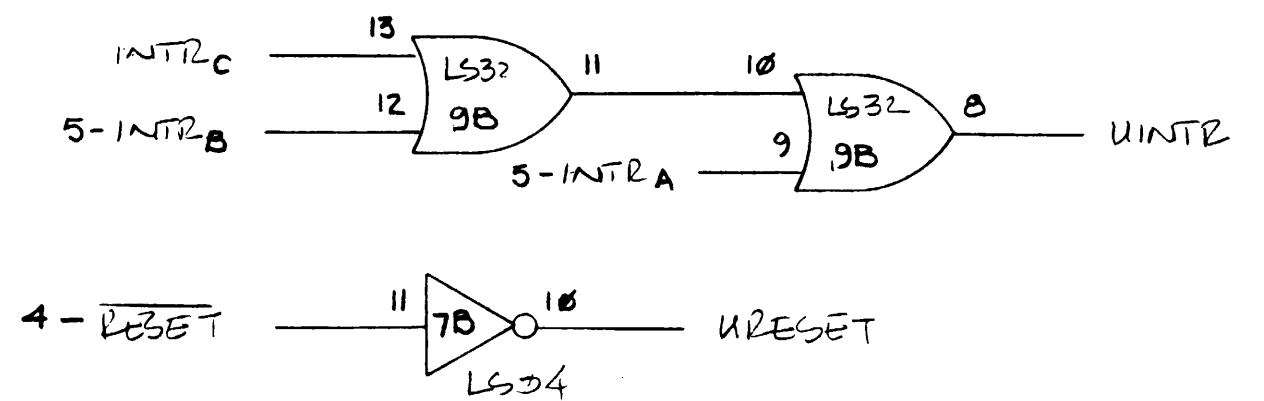
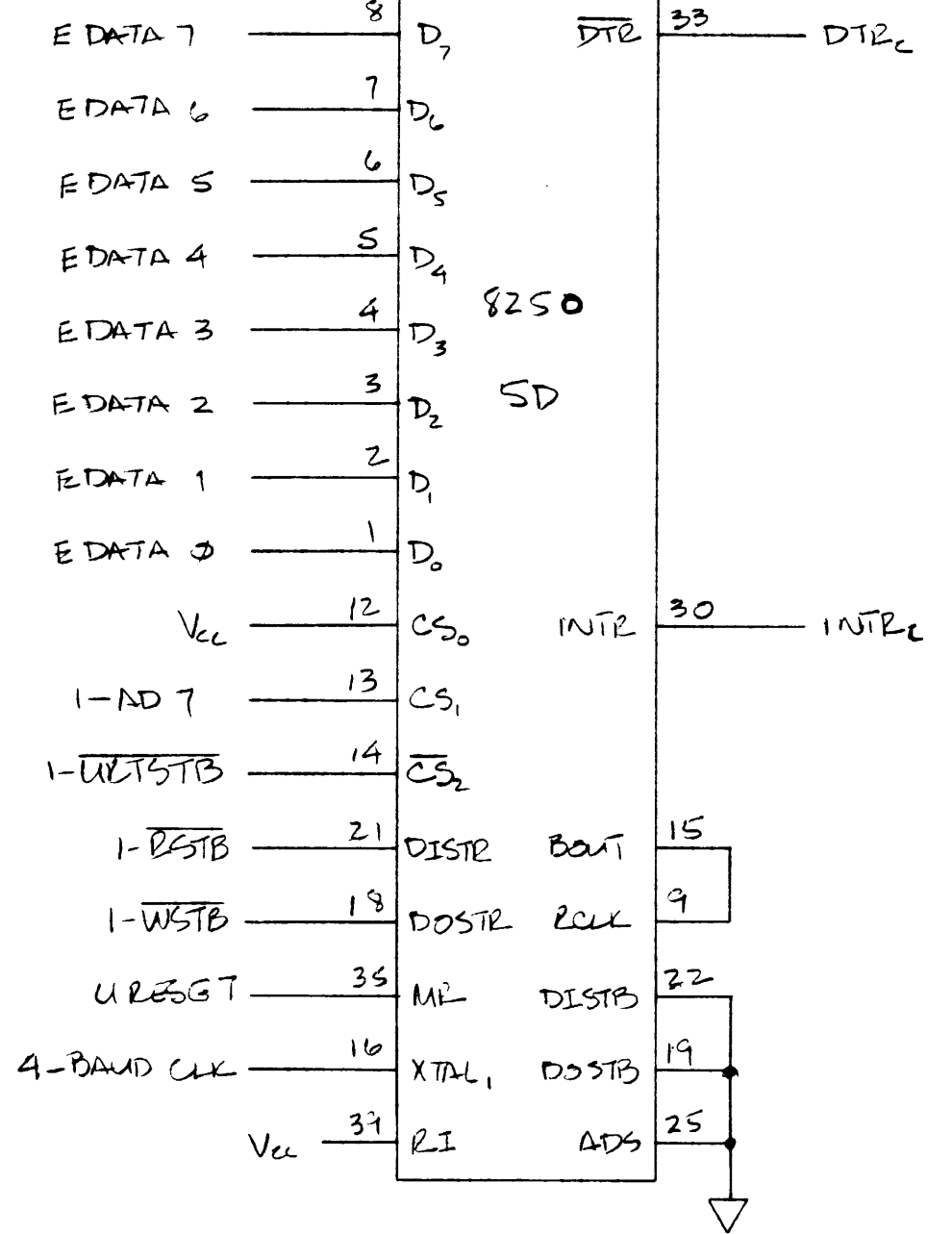
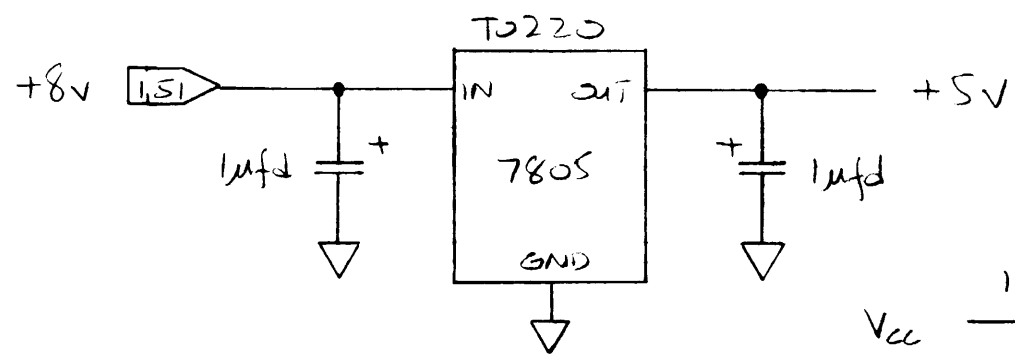
1-28-82



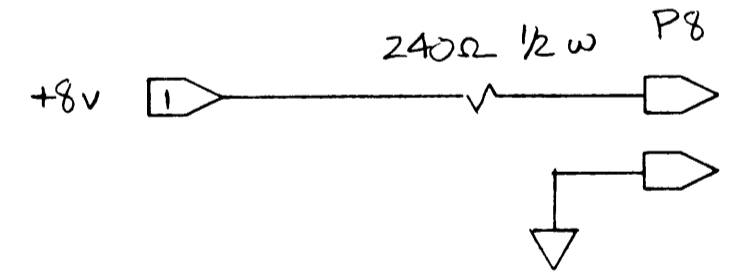
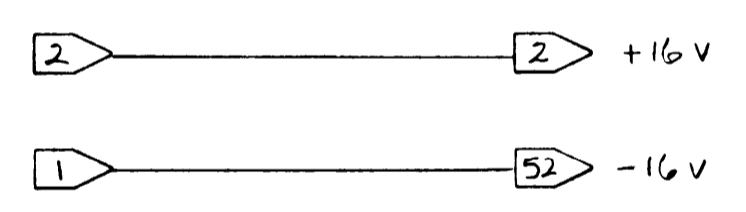
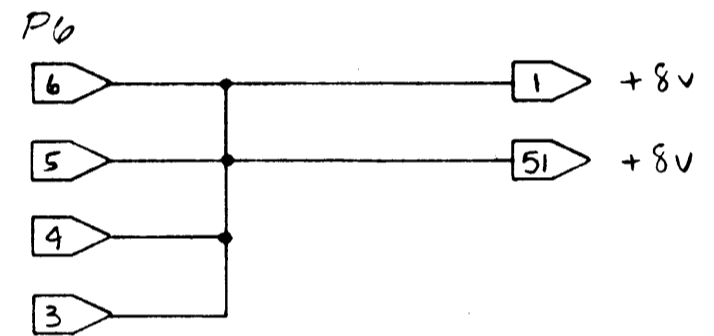
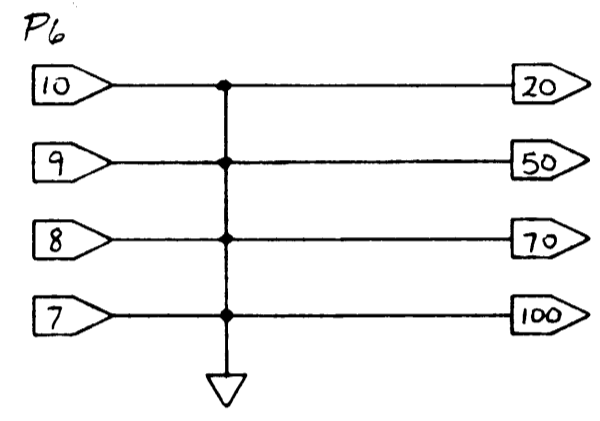
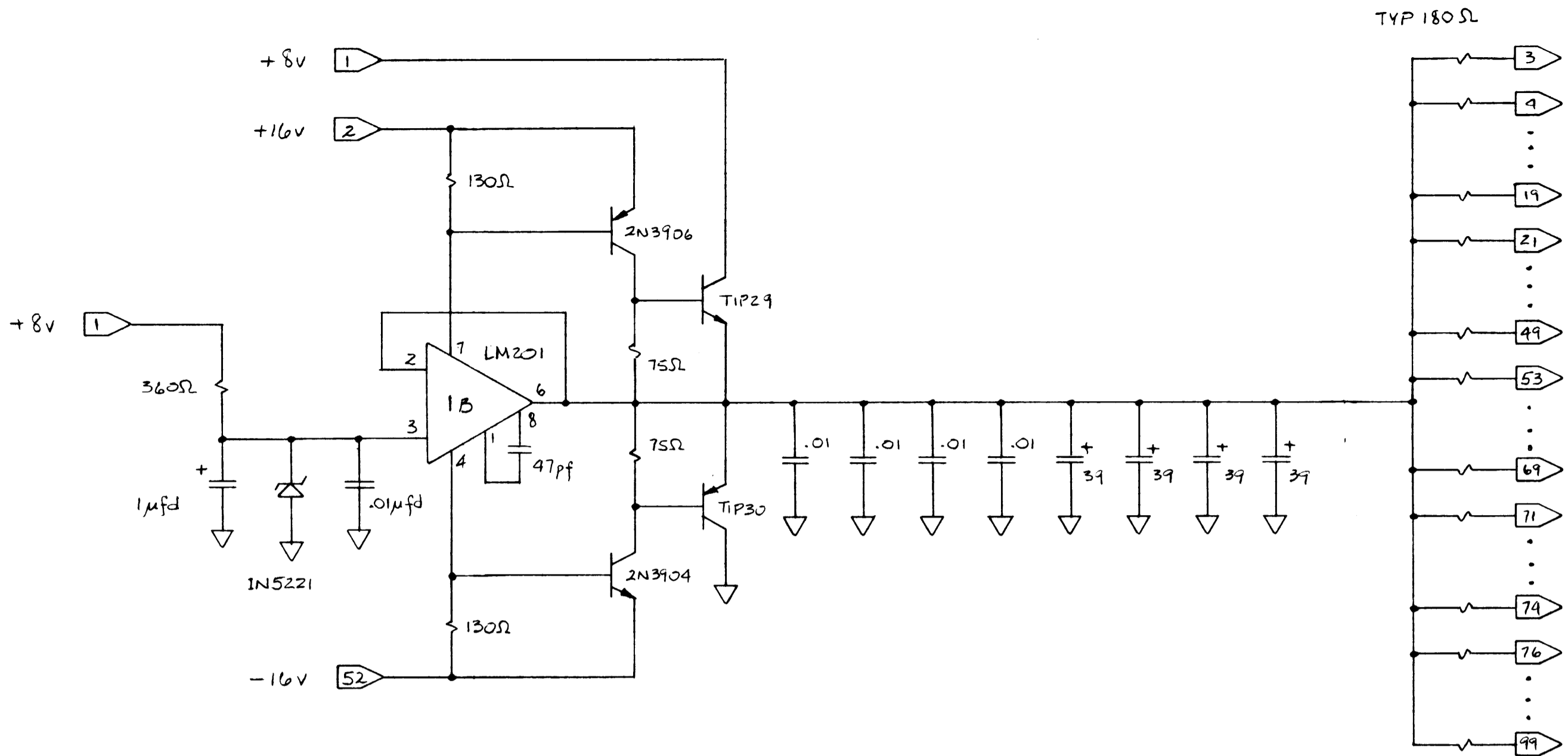
NO HEAT SINKS REQUIRED ON +12 OR -12 SUPPLIES



7805s TO HAVE HEAT SINKS



1-28-82



1-18-82